

### Input data

System of measurement		Metric
Input type		Coupling for electric motor
Input speed	[rpm]	1400
Output speed	[rpm]	20
Ratio (i=)		70
Frequency	[Hz]	50
Input options		IEC
Requested input power	[kW]	0.13
Service factor		1.1
Rated Power P1	[kW]	0.14

### Output data

#### **Gear unit** F RS 40 PC 70 63 B14 AC 19 B3

Type		RS - Worm speed reducers
Input type		F (Elastic coupling)
Size		40
Ratio (i=)		70
Input flange		B14
Mounting position		B3
Input speed	[rpm]	1400
Output speed	[rpm]	20
Rated output torque	[Nm]	32.28
Service Factor		1.1
Efficiency		0.52
Inertia moment	[kgm <sup>2</sup> ]	0.000018

#### **Gear unit configuration**

Output shaft		Hollow output shaft
Fixing		Shaft mounting
Version		PC

#### **Output radial and axial loads**

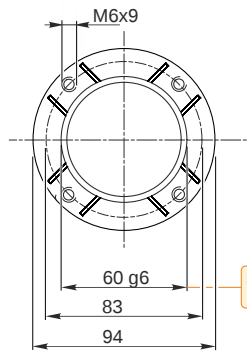
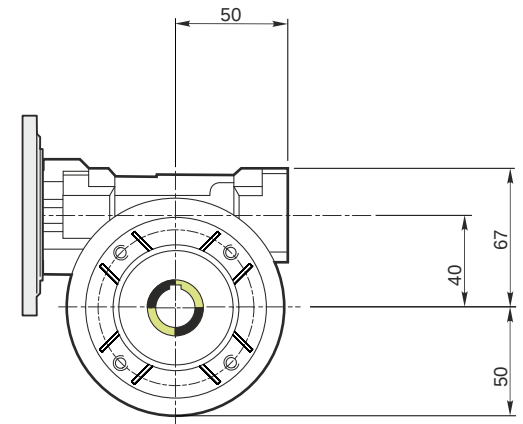
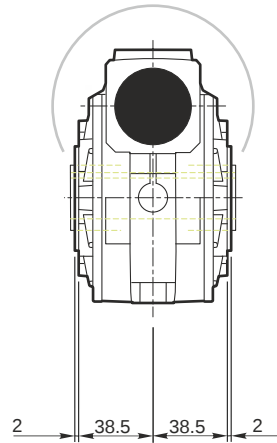
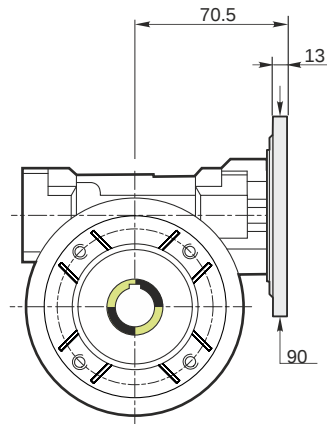
Ball bearings output radial load	[N]	1900
Taper bearings output radial load	[N]	2600
Ball bearings output axial load	[N]	380
Taper bearings output axial load	[N]	520

#### **Accessories**

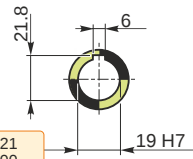
Hollow output shaft		AC 19
---------------------	--	-------

#### **Electric motor coupling**

Size		63 A4
Poles n.		4
Power	[kW]	0.13

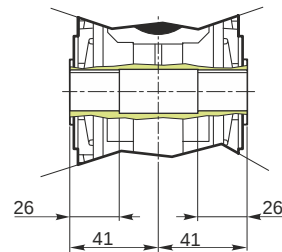


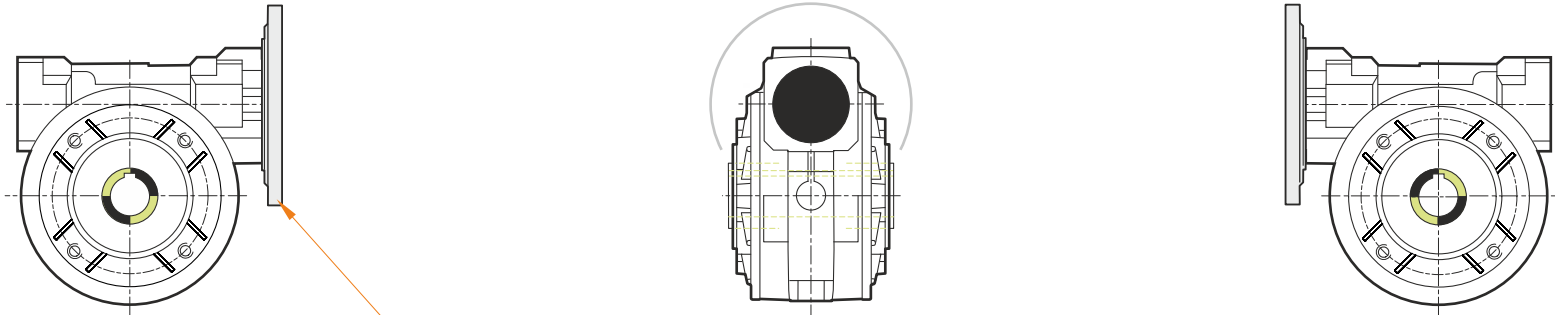
Hollow output shaft



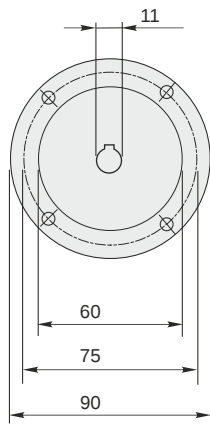
59.99  
59.971

19.021  
19.000



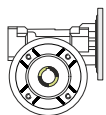


This gear unit is provided with an elastic coupling motor fitting

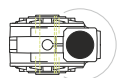


### Mounting positions

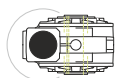
B3



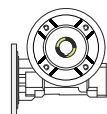
B6



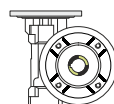
B7



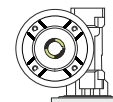
B8



V5



V6



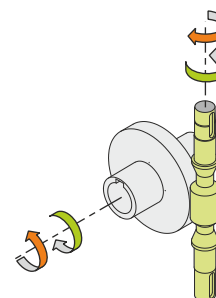
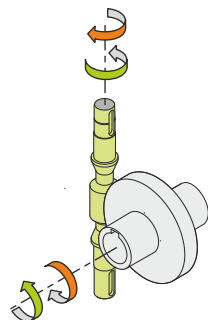
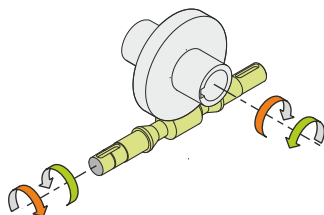
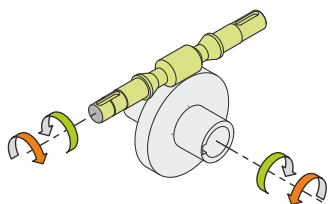
0.08



← Oil quantity [litres]

Lubricant type: Long life synthetic oil ISO VG320

### Direction of rotation



### Weight

Gear unit [kg] 2.5

### Gearing data

Axial module	0.9
Number of starts	1
Lead angle	3° 01'
Pressure angle	20°

### Backdriving

Static self-locking  
Slow back-driving in case of vibrations  
Low dynamic back-driving