

### Input data

System of measurement		Metric
Input type		Gear motor
Input speed	[rpm]	1400
Output speed	[rpm]	11.12
Ratio (i=)		125.9
Frequency	[Hz]	50
Input options		IEC
Requested input power	[kW]	3
Service factor		0.9
Rated Power P1	[kW]	2.85

### Output data

**Gear unit** **M RD 63 B3 H1 125.9 100 B5 AU 60x120 MT 3 kW 100 B4 B5 X3**

Type		RD - Helical gearboxes
Input type		M
Size		63
Ratio (i=)		125.9
Input flange		B5
Mounting position		H1
Input speed	[rpm]	1400
Output speed	[rpm]	11.12
Rated output torque	[Nm]	2421.87
Service Factor		0.9
Efficiency		0.94
Inertia moment	[kgm <sup>2</sup> ]	0.003491

#### Gear unit configuration

Fixing		Feet
Output shaft		AU 60x120

#### Output radial and axial loads

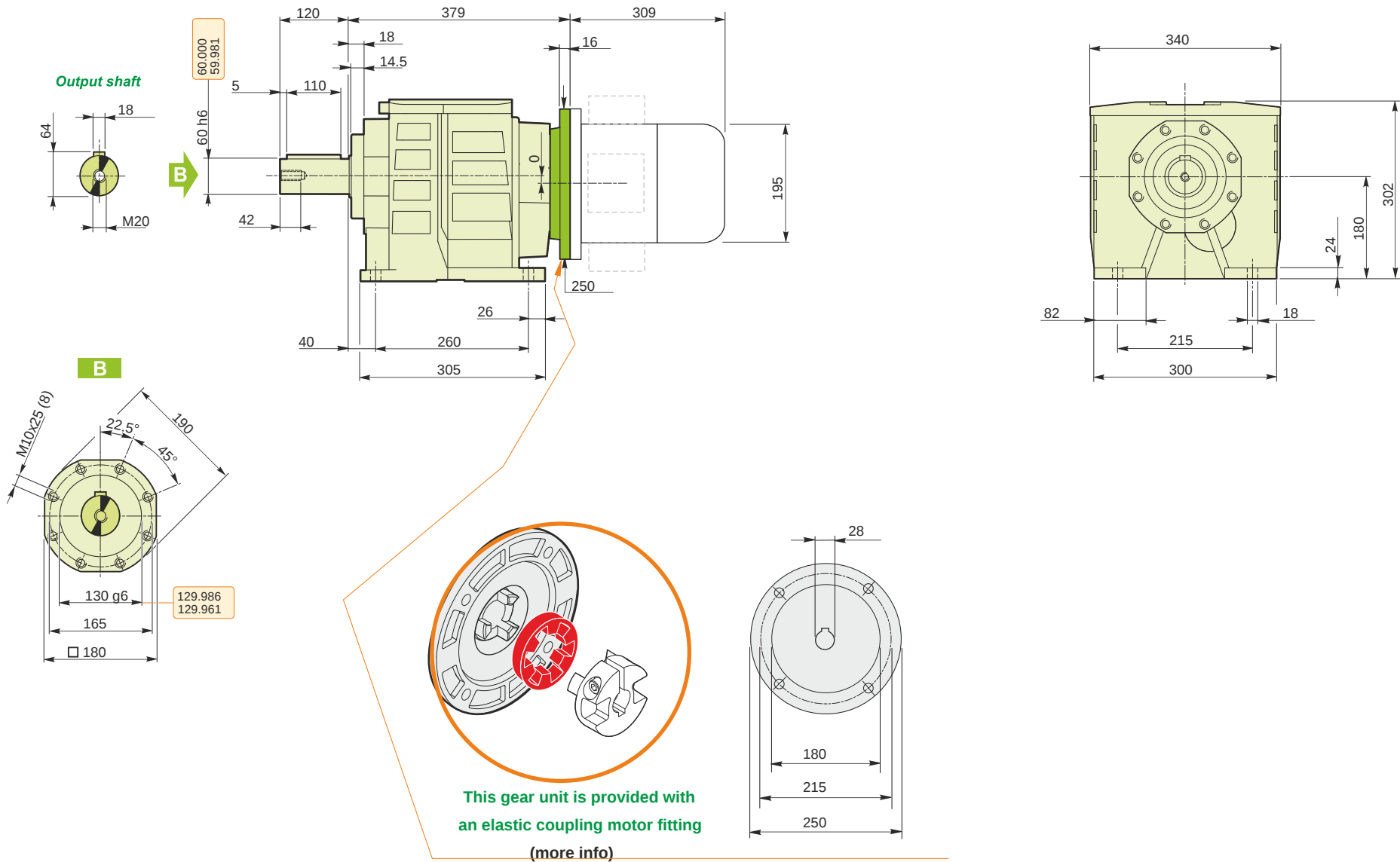
Output radial load	[N]	12000
Output axial load	[N]	2400

#### Electric motor

Size		100 B4
Poles		4
Power	[kW]	3

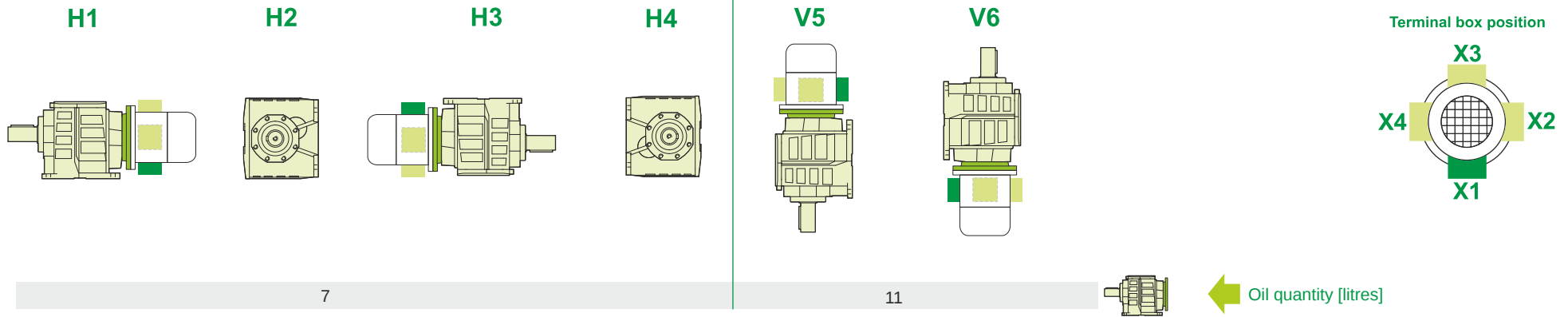
#### Electric motor configuration

Motor flange		B5
Terminal box position		X3



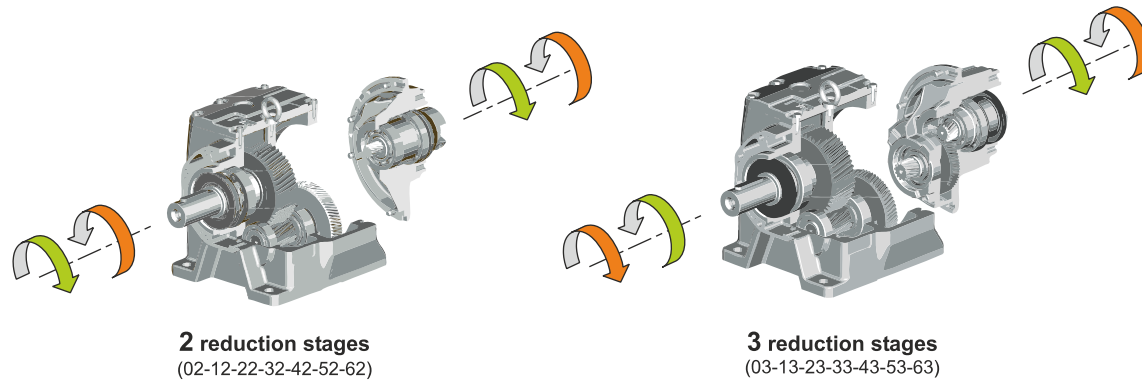
**M RD 63 B3 H1 125.9 100 B5 AU 60x120 MT 3 kW 100 B4 B5 X3**

**Mounting positions**



Lubricant type: Long life synthetic oil ISO VG320

**Direction of rotation**



**Weight**

Gear unit [kg]	70
Electric motor [kg]	21

**M RD 63 B3 H1 125.9 100 B5 AU 60x120 MT 3 kW 100 B4 B5 X3**